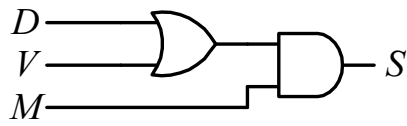
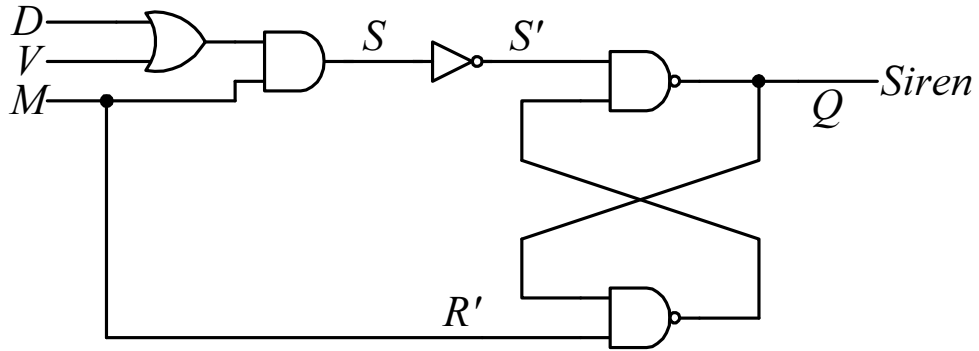


Car Security System



DeMorgan's Law

$$(x + y)' = x' \cdot y'$$



74LS00 Quad 2-input NAND gate

